

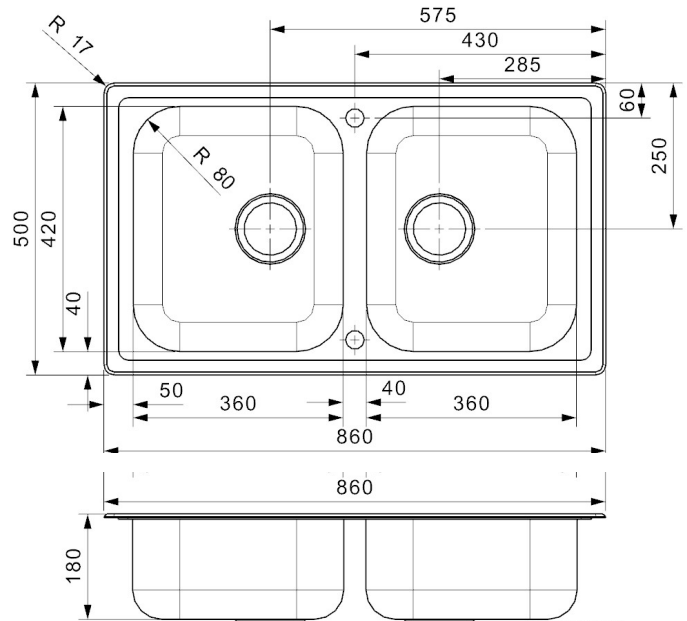


# MONARCH DOUBLE BOWLS

Product Image



Line Drawing



**INSTALLATION DISCLAIMER**

ALL TEMPLATES, LINE DRAWINGS & ELECTRONIC FILES ARE SUPPLIED AS A GUIDE ONLY. PLEASE CROSS CHECK WITH ACTUAL BOWL BEFORE COMMENCING ANY CUTOUT AND ENSURE RADII ARE SUITABLE TO BENCHTOP MATERIAL TOLERANCES. ARGENT ACCEPTS NO RESPONSIBILITY FOR CUTOUT ERRORS.

[www.argentaust.com.au](http://www.argentaust.com.au)

**Code/Description**

**MONARCH DOUBLE BOWLS**

R27219 No Tap Hole  
 R27318 1 Tap Hole

**ACCESSORIES TO SUIT:**

R1045 Colander (must purchase with foodboard)  
 S1145 Wooden Food Board  
 R1190 Stainless Steel Dishrack

**Additional Information**

- Design Overflow
- Round basket waste
- 304 Stainless Steel Polished Inox Finish
- Top Mount, Under Mount Installation
- 27/27 Litre Capacity
- Suit 900 Carcass or Larger

